

F

E

D

C

B

A

4

3

2

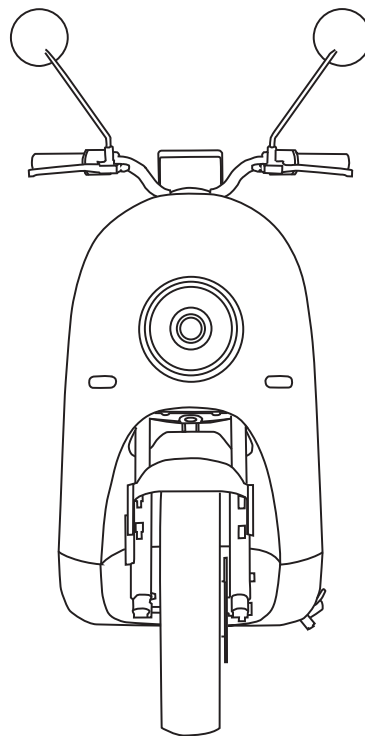
1

4

3

2

1



# unu scooter model 2.1 Electrical Diagram

Page	Title
1	Cover Page
2	Scooter Diagrams
3	Power Train
4	Battery and Power
5	Sensors and Actuators
6	Lights
7	Dashboard and Antenas

DESIGNED BY: Guilherme Müller	Cover Page	unu
DATE: 03.01.2022	unu scooter 2.1	
SIZE A4	NOT ON SCALE	DRAWING NUMBER Revision A
		SHEET 1/7

F

E

D

C

B

A

F

E

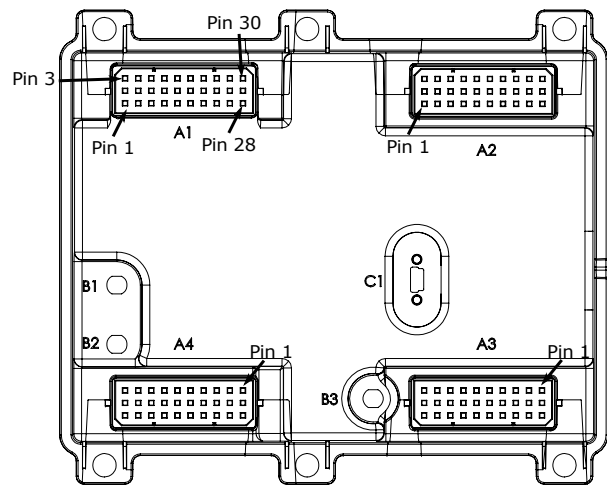
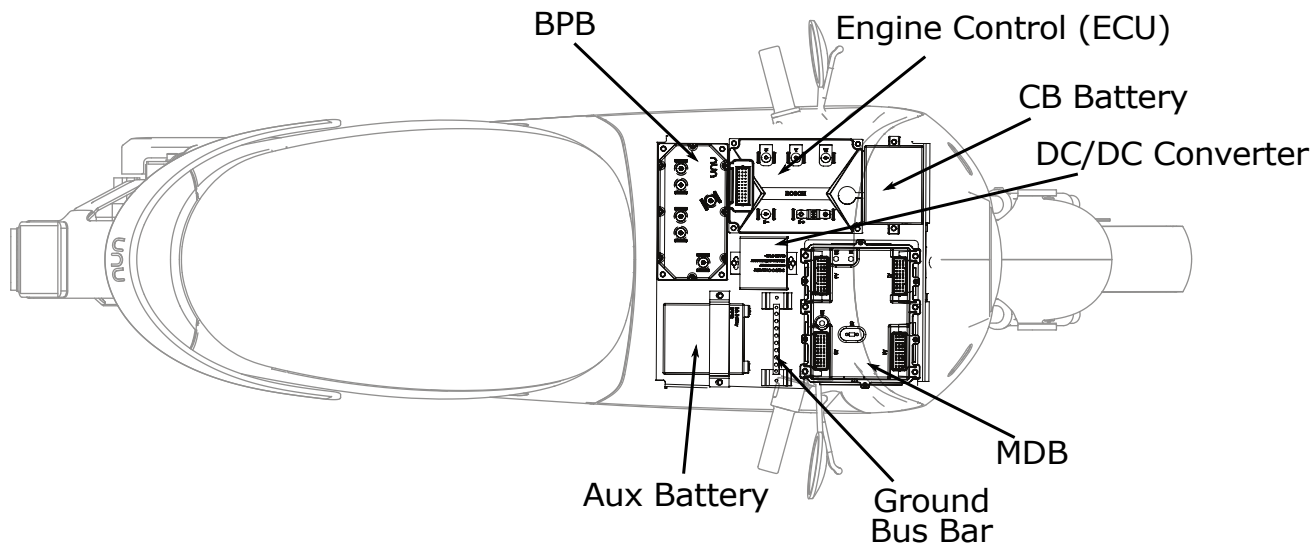
D

C

B

A

# Component Positioning



# MDB Connector Positioning

DESIGNED BY: Guilherme Müller		Scooter Diagrams		UNU
DATE: 03.01.2022		unu scooter 2.1		
SIZE A4	NOT ON SCALE	DRAWING NUMBER Revision A	SHEET 2/7	

F

E

D

C

B

A

4

3

2

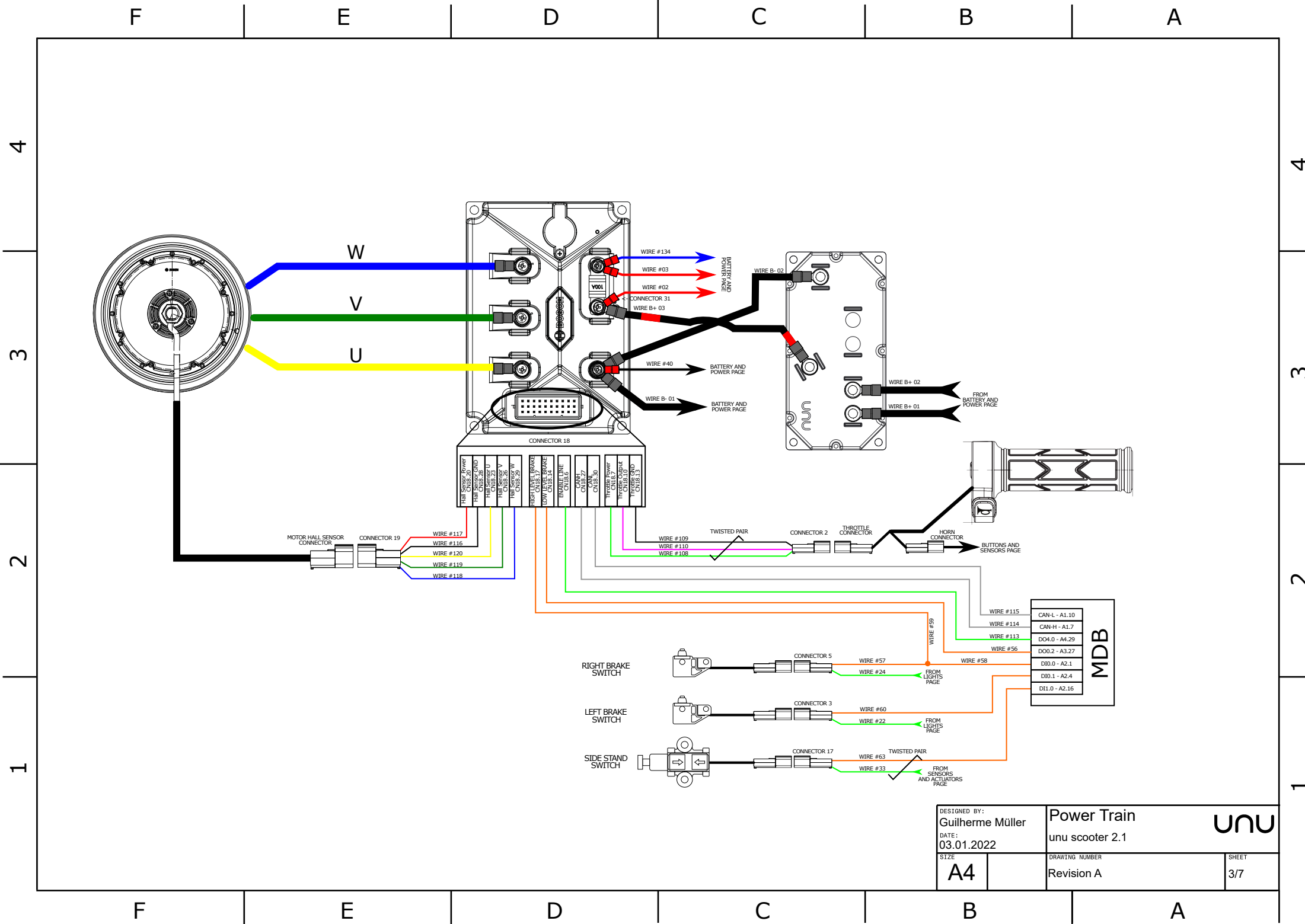
1

4

3

2

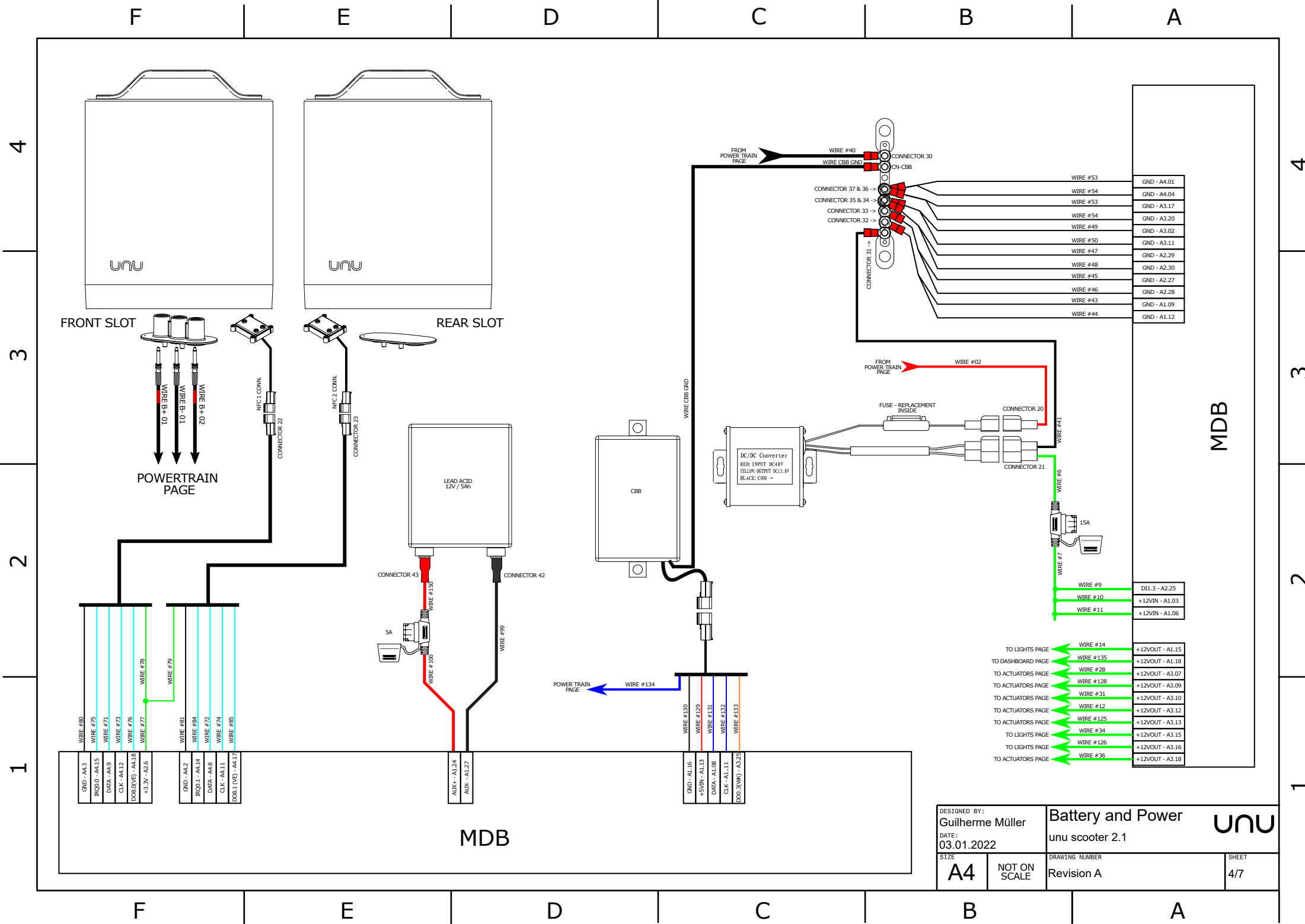
1



DESIGNED BY:  
**Guilherme Müller**  
 DATE:  
 03.01.2022  
 SIZE  
**A4**

**Power Train**  
 unu scooter 2.1  
 DRAWING NUMBER  
 Revision A  
 SHEET  
 3/7

**unu**



WIRE #80	GND - A4.3
WIRE #75	IRQ0.0 - A4.15
WIRE #71	DATA - A4.9
WIRE #73	CLK - A4.12
WIRE #75	DOB(UVE) - A4.18
WIRE #77	+3.3V - A2.6
WIRE #81	GND - A4.2
WIRE #84	IRQ0.1 - A4.14
WIRE #72	DATA - A4.8
WIRE #74	CLK - A4.11
WIRE #85	DOB(L UV) - A4.17

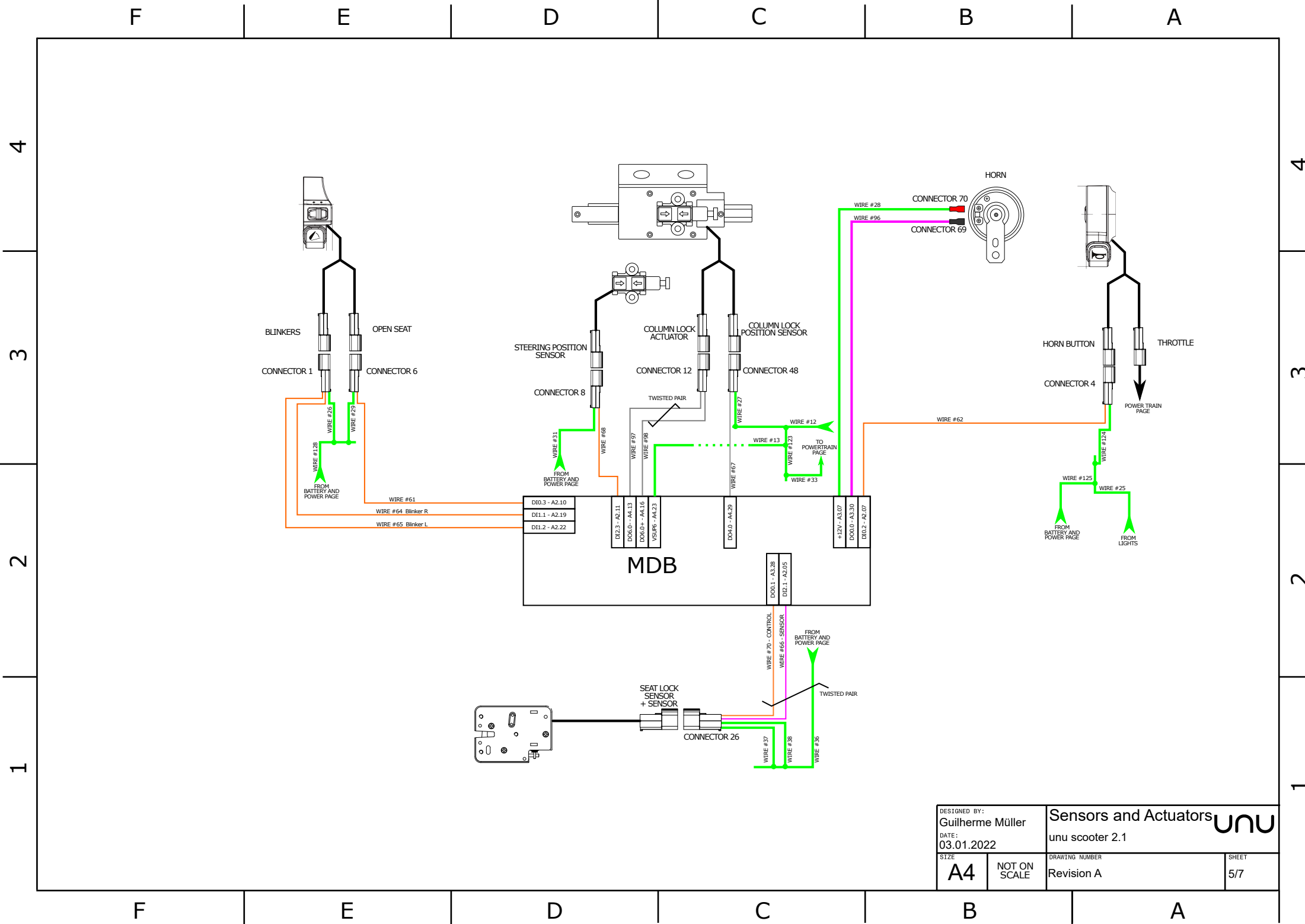
AUX - AL24	WIRE #130
AUX - AL27	WIRE #129
	WIRE #131
	WIRE #132
	WIRE #133
	WIRE #134
	WIRE #135
	WIRE #128
	WIRE #31
	WIRE #12
	WIRE #125
	WIRE #34
	WIRE #126
	WIRE #36


WIRE #53	GND - A4.01
WIRE #54	GND - A4.04
WIRE #53	GND - A3.17
WIRE #54	GND - A3.20
WIRE #49	GND - A3.02
WIRE #50	GND - A3.11
WIRE #47	GND - A2.29
WIRE #48	GND - A2.30
WIRE #45	GND - A2.27
WIRE #46	GND - A2.28
WIRE #43	GND - A1.09
WIRE #44	GND - A1.12

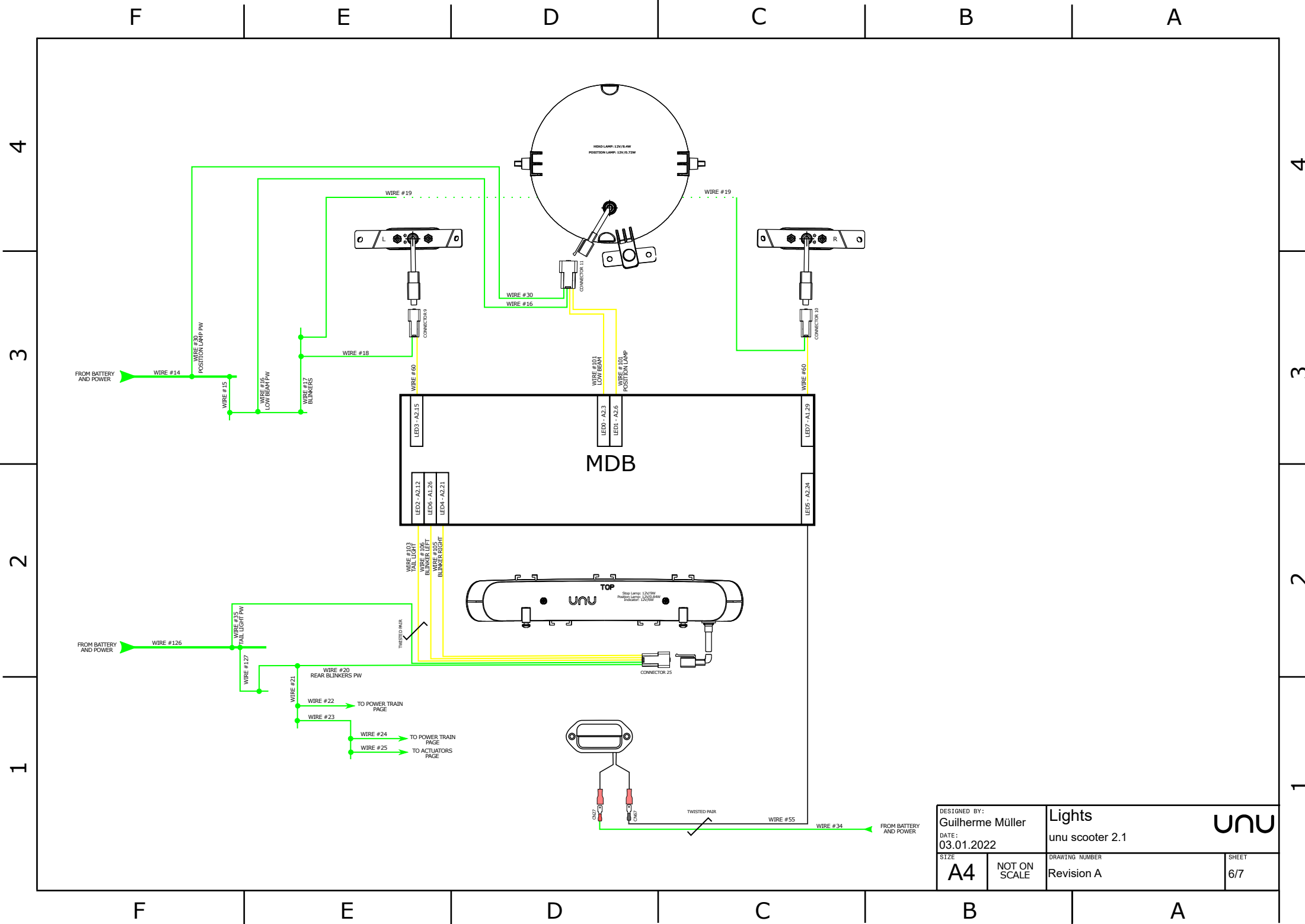
WIRE #9	DI1.3 - A2.25
WIRE #10	+12VIN - A1.03
WIRE #11	+12VIN - A1.06

- TO LIGHTS PAGE ← WIRE #14 → +12VOUT - A1.15
- TO DASHBOARD PAGE ← WIRE #135 → +12VOUT - A1.18
- TO ACTUATORS PAGE ← WIRE #28 → +12VOUT - A3.07
- TO ACTUATORS PAGE ← WIRE #128 → +12VOUT - A3.09
- TO ACTUATORS PAGE ← WIRE #31 → +12VOUT - A3.10
- TO ACTUATORS PAGE ← WIRE #12 → +12VOUT - A3.12
- TO ACTUATORS PAGE ← WIRE #125 → +12VOUT - A3.13
- TO LIGHTS PAGE ← WIRE #34 → +12VOUT - A3.15
- TO LIGHTS PAGE ← WIRE #126 → +12VOUT - A3.16
- TO ACTUATORS PAGE ← WIRE #36 → +12VOUT - A3.18

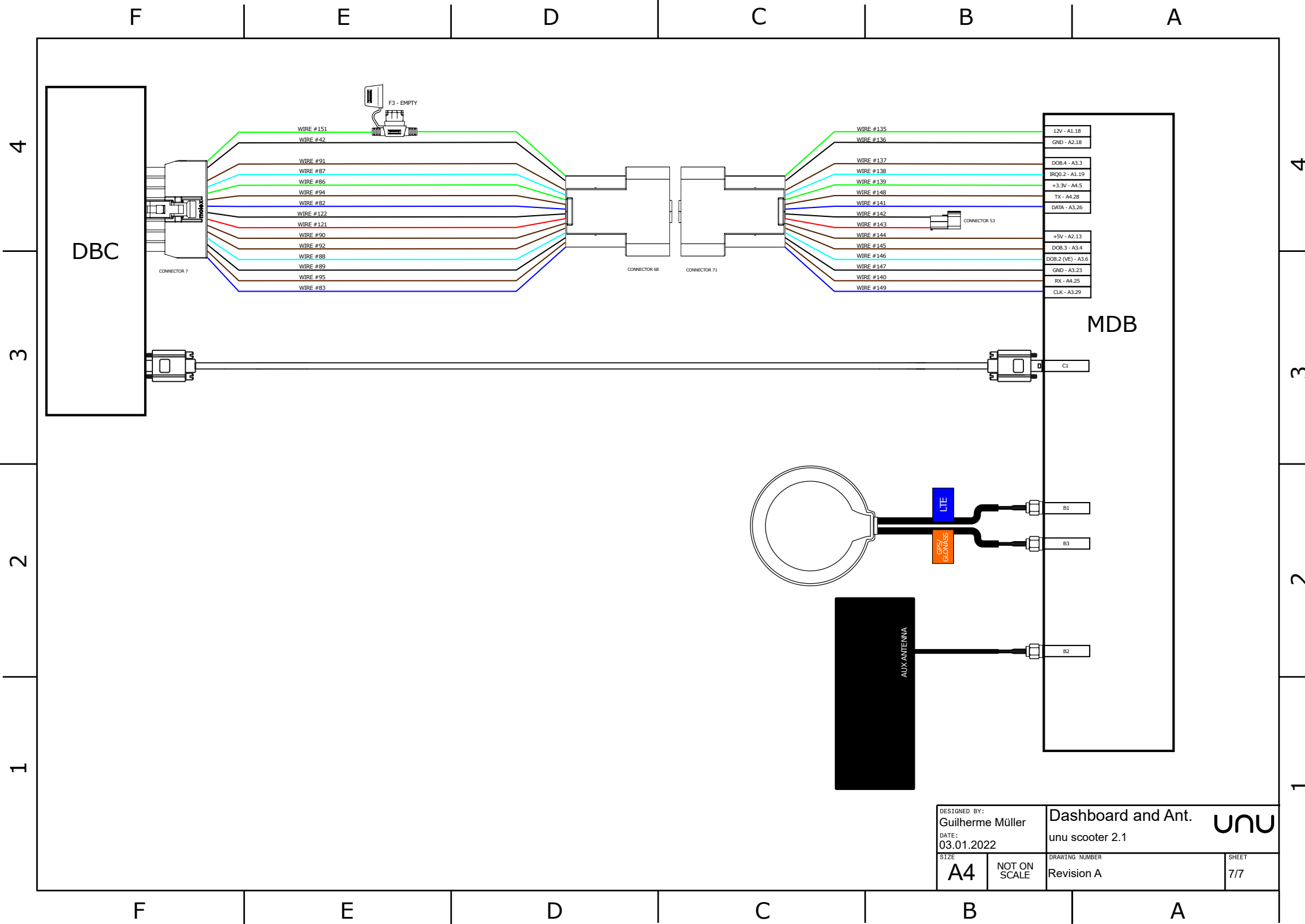
DESIGNED BY: <b>Guilherme Müller</b>		<b>Battery and Power</b>		<b>unu</b>
DATE: 03.01.2022		unu scooter 2.1		
SIZE <b>A4</b>	NOT ON SCALE	DRAWING NUMBER Revision A	SHEET 4/7	



DESIGNED BY: <b>Guilherme Müller</b>		<b>Sensors and Actuators</b> 	
DATE: 03.01.2022		unu scooter 2.1	
SIZE <b>A4</b>	NOT ON SCALE	DRAWING NUMBER Revision A	SHEET 5/7

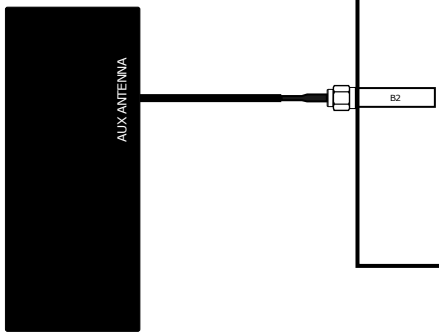
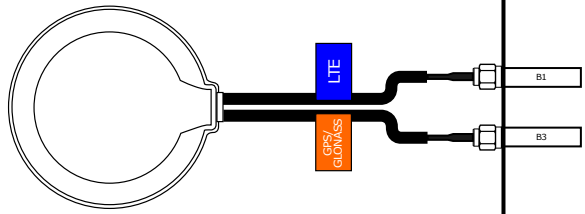
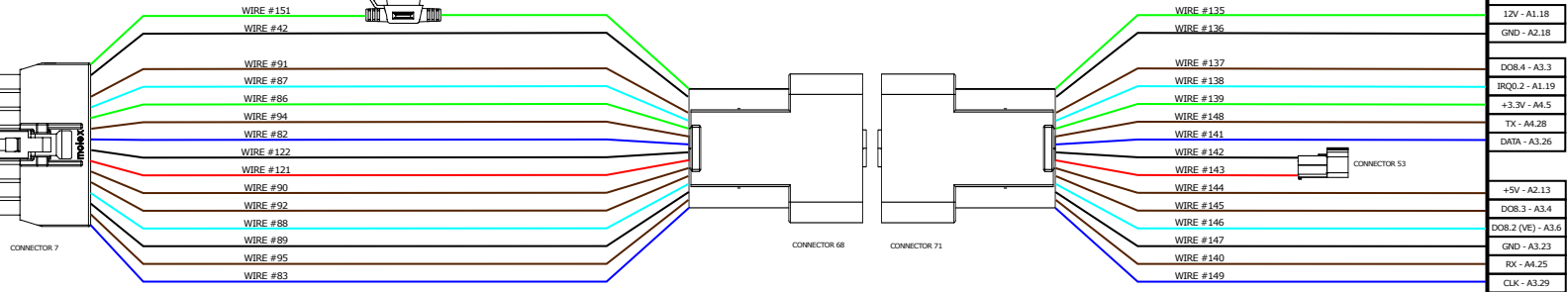


DESIGNED BY: <b>Guilherme Müller</b>		<b>Lights</b>		<b>unu</b>
DATE: 03.01.2022		unu scooter 2.1		
SIZE <b>A4</b>	NOT ON SCALE	DRAWING NUMBER Revision A	SHEET 6/7	




DBC

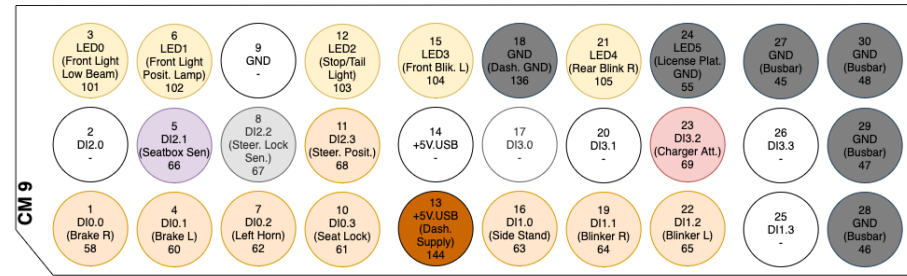
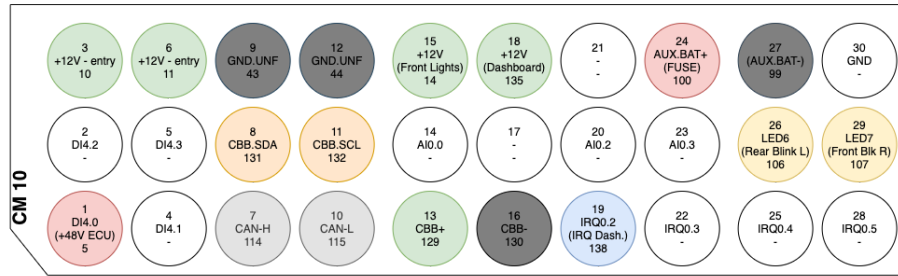
MDB



DESIGNED BY: Guilherme Müller		Dashboard and Ant.		unu
DATE: 03.01.2022		unu scooter 2.1		
SIZE A4	NOT ON SCALE	DRAWING NUMBER Revision A	SHEET 7/7	

# MDB - Rev. F

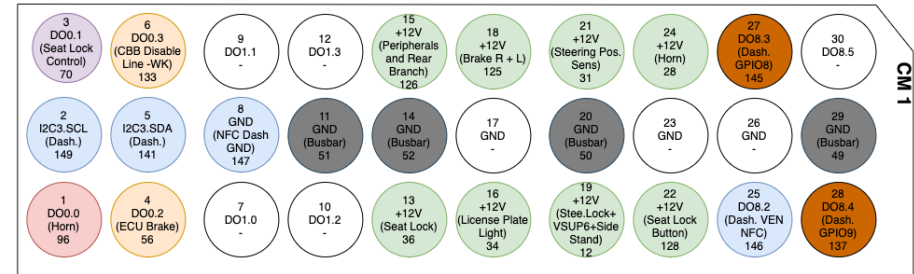
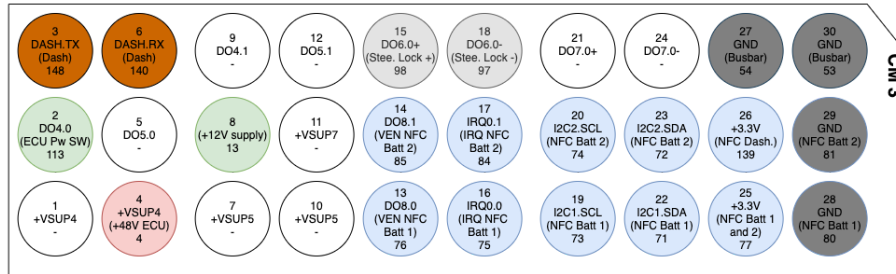
Legend: 



LTE

Aux.  
Antenna

USB



Notes:  
For CM 1 and CM 3, the pin numbers between the MDB and the actual MDB connector are swapped.  
Ex.: When in MDB schematics, CM 1 pin 30 = DO 8.5, in the harness connector DO 8.5 will be in CM 1 pin 1. The MDB schematics were followed, and are in the correct pin. Just the pin number on the harness connection is swapped.

GPS



Legend

